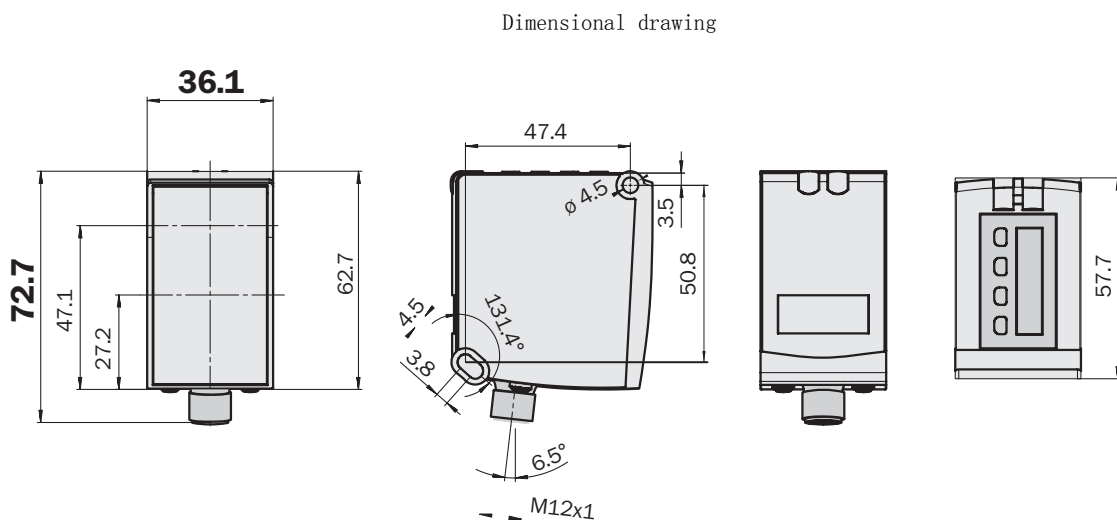


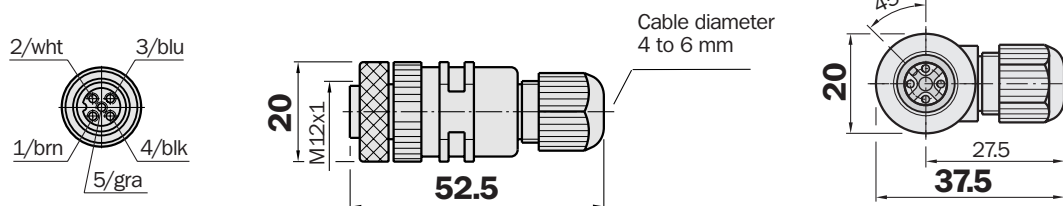
HDTW Distance sensor



Technical data

HDTW-200	9.8 m	6.3m	3.8m
Measurement range	9.8 m 90%	6.3m 18%	3.8m 6%
Light source	Laser red, Laser class 2		
Light spot diameter	Φ15 mm at 10 m distance		
Supply voltage	10 ... 30 V(1.7W)		
Accuracy	± 10 mm		
Repeatability	± 5 mm		
Resolution	1 mm		
response - 3 dB	10 ms		
Sensitivity to ambient light	40,000 lux		
Display	LED		
Output	4 ... 20 mA/1-5VDC		
Connection type	M12 plug, 5-pin		
Enclosure rating	IP 65		
Storage temperature	- 40 ° C ... +75 ° C		
Operation temperature	- 30 ° C ... +65 ° C		
Weight	200 g		

Connection type



M12 5pin	1 (brn)	2 (wht)	3 (blu)	4 (blk)	5 (gra)
Connect	10 ... 30 V	4 ... 20 mA 1 ... 5VDC	GND	PNP/NPN	SH